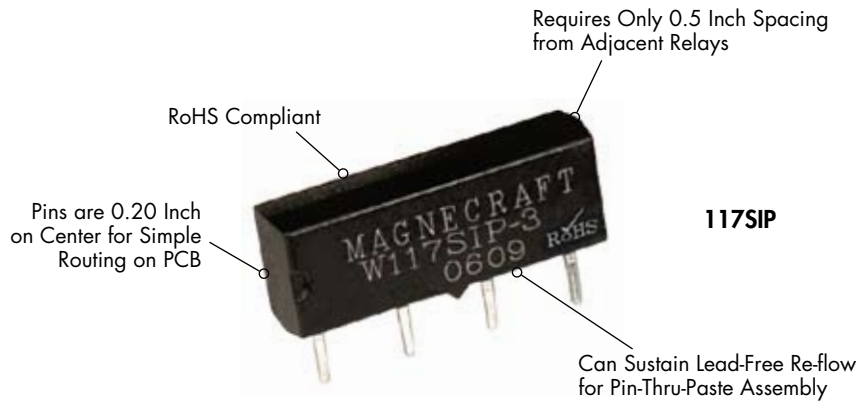
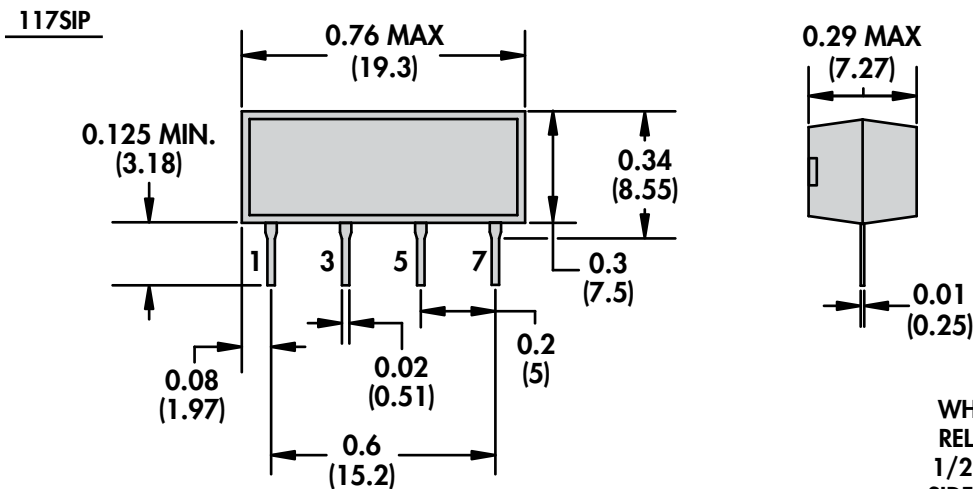


117SIP, 107DIP, 171DIP PCB Mount Miniature Reed Relays/SPDT and SPST 0.5 Amp Rated



General Specifications

| Contact Characteristics | | Units | 117SIP |
|---|--|-------|---------------|
| Number and type of Contacts | | | SPST |
| Contact materials | | | Rhodium |
| Current rating | | A | 0.5 |
| Switching voltage | | V | 120 |
| | | V | 200 |
| Minimum Switching Requirement | Minimum | mA | 10 |
| Coil Characteristics | | | |
| Voltage Range | | V | 5...24 |
| Operating Range | % of Nominal | | 80% to 110% |
| Average consumption | | W | 0.29 |
| Drop-out voltage threshold | | | 10% |
| Performance Characteristics | | | |
| Electrical Life | Operations @ Rated Current (Resistive) | | 50,000,000 |
| Mechanical Life | Unpowered | | 100,000,000 |
| Operating time (response time) | | ms | 0.45 |
| Rated insulation voltage | Between coil and contact | V | 500 |
| Dielectric strength | Between poles | V | 500 |
| rms voltage | Between contacts | V | 150 |
| Environment | | | |
| Ambient air temperature around the device | Storage | °C | -40...+85 |
| | Operation | °C | -40...+55 |
| Vibration resistance | Operational | g-n | 20, 10-200 Hz |
| Shock resistance | | g-n | 50 |
| Weight | | grams | 1 |



WHEN SPACING SIP AND DIP RELAYS, THE RELAYS REQUIRE 1/2 INCH SPACING FROM THE SIDE OF THE ADJACENT RELAYS

DRAWING ENLARGED TO 200% OF ACTUAL SIZE



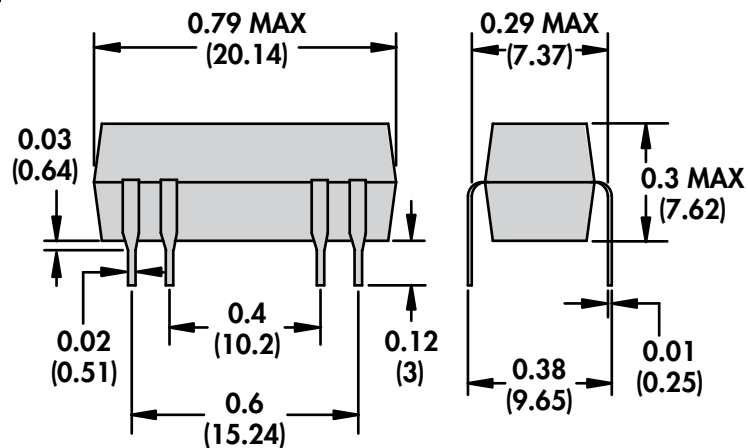
107DIP



171DIP

| 107DIP | 171DIP | 171DIP |
|---------------|---------------|---------------|
| SPST-NO | DPST-NO | SPST |
| Rhodium | Rhodium | Rhodium |
| 0.5 | 0.5 | 0.5 |
| 120 | 120 | 60 |
| 100 | 100 | 100 |
| 10 | 10 | 10 |
| 5...24 | 5...24 | 5...24 |
| 80% to 110% | 80% to 110% | 80% to 110% |
| 0.29 | 0.29 | 0.29 |
| 10% | 10% | 10% |
| 50,000,000 | 50,000,000 | 50,000,000 |
| 100,000,000 | 100,000,000 | 100,000,000 |
| 1 | 1 | 1 |
| 1000 | 1000 | 1000 |
| 1000 | 1000 | 1000 |
| 200 | 200 | 200 |
| -40...+85 | -40...+85 | -40...+85 |
| -40...+55 | -40...+55 | -40...+55 |
| 20, 10-200 Hz | 20, 10-200 Hz | 20, 10-200 Hz |
| 50 | 50 | 50 |
| 1 | 1 | 1 |

107DIP & 171DIP



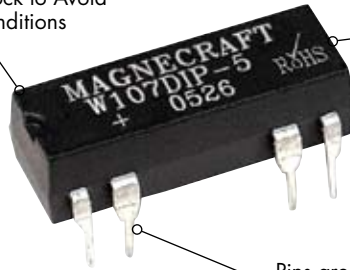
DRAWING ENLARGED TO 200% OF ACTUAL SIZE

117SIP, 107DIP, 171DIP PCB Mount Miniature Reed Relays/SPDT and SPST 0.5 Amp Rated

Can Survive High Shock to Avoid Damage in Harsh Conditions

Can Sustain Lead-Free Re-flow for Pin-Thru-Paste Assembly

107DIP



Pins are 0.10 Inch on Center for Simple Routing on PCB

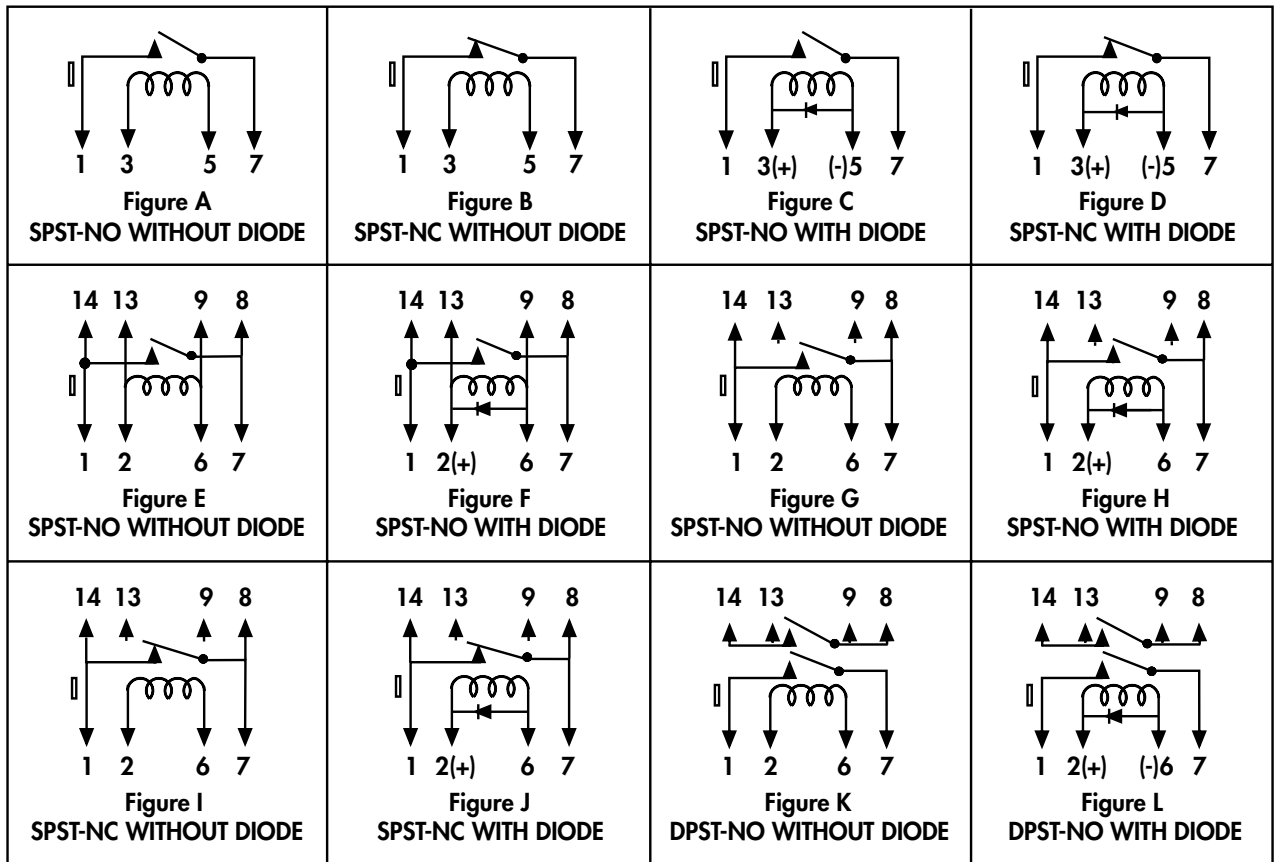


Standard Part Numbers

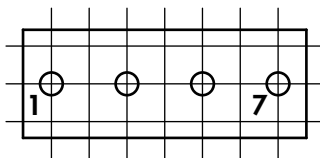
BOLD-FACED PART NUMBERS ARE NORMALLY STOCKED

| Nominal Input Voltage | Nominal Coil Resistance (Ω) | Part Number | Contact Configuration | Figure |
|-----------------------|--------------------------------------|-------------------|---------------------------|--------|
| 5 VDC | 500 Ω | W117SIP-1 | SPST-NO | A |
| 12 VDC | 1000 Ω | W117SIP-3 | SPST-NO | A |
| 24 VDC | 2000 Ω | W117SIP-5 | SPST-NO | A |
| 5 VDC | 500 Ω | W117SIP-22 | SPST-NC | B |
| 12 VDC | 1000 Ω | W117SIP-23 | SPST-NC | B |
| 24 VDC | 2200 Ω | W117SIP-24 | SPST-NC | B |
| 5 VDC | 500 Ω | W117SIP-6 | SPST-NO w/ Clamping Diode | C |
| 12 VDC | 1000 Ω | W117SIP-8 | SPST-NO w/ Clamping Diode | C |
| 24 VDC | 2200 Ω | W117SIP-10 | SPST-NO w/ Clamping Diode | C |
| 5 VDC | 500 Ω | W117SIP-18 | SPST-NC w/ Clamping Diode | D |
| 12 VDC | 1000 Ω | W117SIP-25 | SPST-NC w/ Clamping Diode | D |
| 24 VDC | 2200 Ω | W117SIP-26 | SPST-NC w/ Clamping Diode | D |
| 5 VDC | 500 Ω | W107DIP-1 | SPST-NO | E |
| 12 VDC | 1000 Ω | W107DIP-3 | SPST-NO | E |
| 24 VDC | 2000 Ω | W107DIP-4 | SPST-NO | E |
| 5 VDC | 500 Ω | W107DIP-5 | SPST-NO w/ Clamping Diode | F |
| 12 VDC | 1000 Ω | W107DIP-7 | SPST-NO w/ Clamping Diode | F |
| 24 VDC | 2000 Ω | W107DIP-8 | SPST-NO w/ Clamping Diode | F |
| 5 VDC | 500 Ω | W171DIP-2 | SPST-NO | G |
| 12 VDC | 1000 Ω | W171DIP-4 | SPST-NO | G |
| 24 VDC | 2200 Ω | W171DIP-5 | SPST-NO | G |
| 5 VDC | 500 Ω | W171DIP-7 | SPST-NO w/ Clamping Diode | H |
| 12 VDC | 1000 Ω | W171DIP-9 | SPST-NO w/ Clamping Diode | H |
| 24 VDC | 2200 Ω | W171DIP-10 | SPST-NO w/ Clamping Diode | H |
| 5 VDC | 500 Ω | W171DIP-12 | SPST-NC | I |
| 12 VDC | 1000 Ω | W171DIP-14 | SPST-NC | I |
| 24 VDC | 2200 Ω | W171DIP-15 | SPST-NC | I |
| 5 VDC | 500 Ω | W171DIP-17 | SPST-NC w/ Clamping Diode | J |
| 12 VDC | 1000 Ω | W171DIP-19 | SPST-NC w/ Clamping Diode | J |
| 24 VDC | 2200 Ω | W171DIP-20 | SPST-NC w/ Clamping Diode | J |
| 5 VDC | 500 Ω | W171DIP-21 | DPST-NO | K |
| 12 VDC | 1000 Ω | W171DIP-23 | DPST-NO | K |
| 24 VDC | 2200 Ω | W171DIP-24 | DPST-NO | K |
| 5 VDC | 500 Ω | W171DIP-25 | DPST-NO w/ Clamping Diode | L |
| 12 VDC | 1000 Ω | W171DIP-27 | DPST-NO w/ Clamping Diode | L |
| 24 VDC | 2200 Ω | W171DIP-28 | DPST-NO w/ Clamping Diode | L |

WIRING DIAGRAMS
TOP VIEW

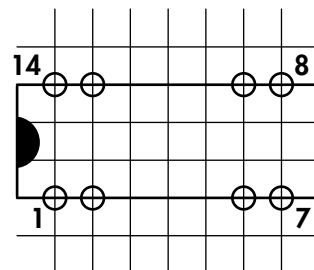


117SIP CIRCUIT BOARD PIN SPACING
VIEWED FROM COMPONENT SIDE
(TOP VIEW)



0.1 IN GRID
(2.54 MM)

107DIP & 171DIP CIRCUIT BOARD PIN SPACING
VIEWED FROM COMPONENT SIDE
(TOP VIEW)



CIRCUIT BOARD PIN SPACINGS ENLARGED TO 200% OF ACTUAL SIZE